

7.5-20 Watt Hybrid

Features

- Completely self contained Thick Film Hybrid DC-DC Converter
- Built-in EMI input filter meets MIL-STD-461C requirements CE01, CE03, CS01, CS02 and CS06
- "Inhibit-not" function
- Power on soft start
- Fully isolated, input to output
- Single, double and triple outputs
- Short circuit protection
- 200 kHz operation for low ripple and fast response
- No external filter caps required
- Hermetically sealed package

Specifications

INPUT: 16 to 24 VDC nominal

Range: 8 to 40 VDC continuous

Unit will start up at $V_{in} > 9.5$ VDC

OUTPUT: for $V_{in} < 16$ VDC, the output power linearly derates to 1/2 full output power at $V_{in} = 8$ VDC

ISOLATION:

Input to case: 500 VDC

Input to output: 500 VDC

Output to case: 100 VDC

ENVIRONMENT:

Storage temperature: -55°C to +150°C

Shock: 50 G's

Acceleration: 500 G's

Vibration: 30 G's

Grade M:

Full Power Output at $T_{case} = +85^{\circ}\text{C}$

Linearly derates to zero at $T_{case} = +115^{\circ}\text{C}$

Grade E:

Full Power Output at $T_{case} = +125^{\circ}\text{C}$

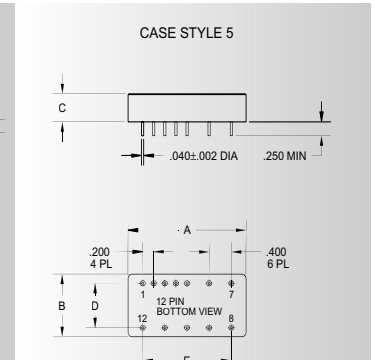
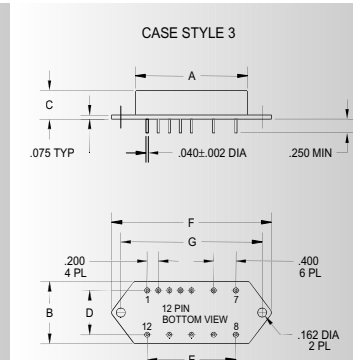
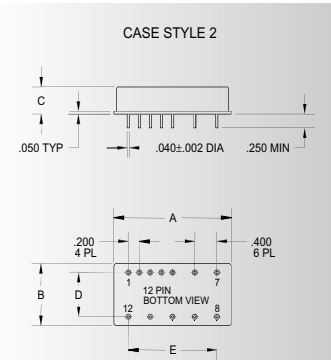
Linearly derates to zero at $T_{case} = +135^{\circ}\text{C}$

WEIGHT: 60 grams typical

SINGLE OUTPUT DEVICES		3113-S03.3 (13.2W)			3113-S05 (20W)			3113-S05.2 (20W)			3113-S12 (20W)		
PARAMETER	CONDITION	MIN	TYP	MAX	MIN	TYP	MAX	MIN	TYP	MAX	MIN	TYP	MAX
Output voltage	—	+3.2	+3.3	+3.4	+4.9	+5.0	+5.1	+5.1	+5.2	+5.3	+11.9	+12.0	+12.1
Output current	$V_{in} = 16$ to 40 VDC	—	—	4A	—	—	4A	—	—	3.85A	—	—	1.67A
Efficiency	$P_{out} = \text{max rated load}$	64%	67%	—	69%	72%	—	69%	72%	—	76%	80%	—
Line regulation	$P_{out} = \text{max rated load}$ $V_{in} = 16$ to 40 VDC	—	10mV	30mV	—	10mV	50mV	—	10mV	50mV	—	20mV	100mV
Load regulation	$P_{out} = 10\%$ to F.L.	—	10mV	30mV	—	10mV	50mV	—	10mV	50mV	—	20mV	100mV
Output ripple	F.L. BW 2 MHz mV _{pp}	—	30	65	—	40	85	—	40	85	—	60	150

SINGLE OUTPUT DEVICES		3113-S15 (20W)			3113-S28 (20W)				
PARAMETER	CONDITION	MIN	TYP	MAX	MIN	TYP	MAX		
Output voltage	—	+14.9	+15.0	+15.1	+27.8	+28.0	+28.2		
Output current	$V_{in} = 16$ to 40 VDC	—	—	1.33A	—	—	714mA		
Efficiency	$P_{out} = \text{max rated load}$	77%	81%	—	76%	80%	—		
Line regulation	$P_{out} = \text{max rated load}$ $V_{in} = 16$ to 40 VDC	—	25mV	125mV	—	50mV	250mV		
Load regulation	$P_{out} = 10\%$ to F.L.	—	25mV	125mV	—	50mV	250mV		
Output ripple	F.L. BW 2 MHz mV _{pp}	—	75	180	—	150	350		

Model No.	Case Style	Pin Count	Mounting
3113	2	12	Solder Sealed Flangeless PCB Mount
3113	F	12	Solder Sealed PCB Mount with Flange
3113	H	12	Seam Weld Flangeless PCB Mount
3113	HF	12	Seam Weld PCB Mount with Flange
3113	VF	12	Seam Weld Chassis Mount with Flange



TOLERANCES: ALL DIMENSIONS ±0.01 EXCEPT F = MAX, C = +0.01/-0.02; DRAWINGS IN INCHES.

Case Dimensions

Units: inches | millimeters

Case Style	A	B	C	D	E	F	G
2	2.130 54.102	1.120 28.448	0.495 12.573	0.800 20.320	1.600 40.640	— —	— —
3 F	2.130 54.102	1.120 28.448	0.495 12.573	0.800 20.320	1.600 40.640	2.890 73.406	2.550 64.770
5 H	2.130 54.102	1.120 28.448	0.495 12.573	0.800 20.320	1.600 40.640	— —	— —
6 HF	2.130 54.102	1.120 28.448	0.495 12.573	0.800 20.320	1.600 40.640	2.890 73.406	2.550 64.770
8 VF	2.160 54.864	1.510 38.354	0.495 12.573	— —	1.600 40.640	2.890 73.406	2.550 64.770

