

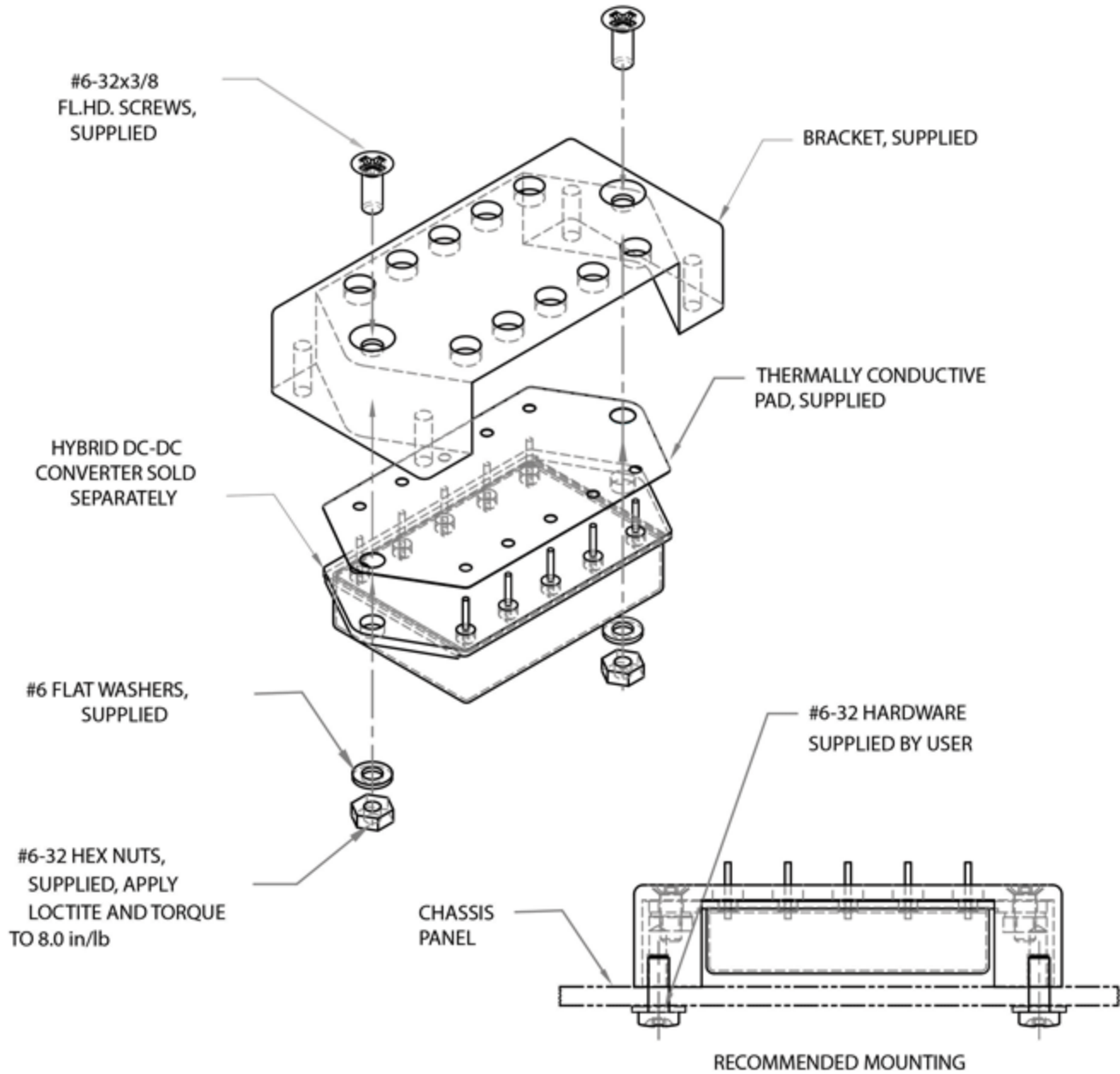
## Inverted Mounting Bracket Kits

Bracket kits are available to assemble standard PCB mount flanged converter packages in an inverted position to save PWB area, accommodate space/volume constraints and/or enable point-to-point wiring options in next-level system assembly. This technique is also known as upside down or "dead bug" mounting. Brackets are constructed of rugged aluminum alloy with self-locking 6-32 inserts for high thermal conductivity to the system heatsink and vibration/shock resistance. A high conductivity thermal pad (Fujipoly Sarcon™ GSR) is included with each kit as is all mounting hardware except the four fasteners for system chassis panel attachment. The chart describes relevant kit and pad part numbers, descriptive drawings and temperature coefficients by converter package power level, designator and case style. Thermal pads are available separately and may be trimmed for non-flanged converter case styles of the same header family. Catalog data sheets refer; check under the Dimensions section.

Package Power Level, Pin Count	Case Designator and Style No.	Inverted Mounting Kit Part No.	Bracket Dimension Drawing	Bracket Kit Assy. Drawing	T Rise Degrees øC per Watt Dissipated	Die Cut Thermal Pad Part No.
30W 10 pin	F(3) or MF(13)	403-005	402-005-DIM	403-005	1.74	301-94
20W 12 pin	F(3) or GF/HF(6)	403-006	402-006-DIM	403-005	2.44	301-91
30W 12 pin	F(3) or IF(6)	403-007	402-007-DIM	403-005	1.94	301-92
40W 12 pin	F(3) or JF(6)	403-008	402-008-DIM	403-005	1.64	301-93



**Modular Devices, Inc.**  
 One Roned Road Shirley, NY 11967  
 631.345.3100 · sales@mdipower.com  
 www.mdipower.com



**Typical Inverted Mounting Assembly Drawing**



**Modular Devices, Inc.**  
 One Roned Road Shirley, NY 11967  
 631.345.3100 · sales@mdipower.com  
 www.mdipower.com